

StamFord Power : ژنراتور

Chummins-China : موتور دیزل

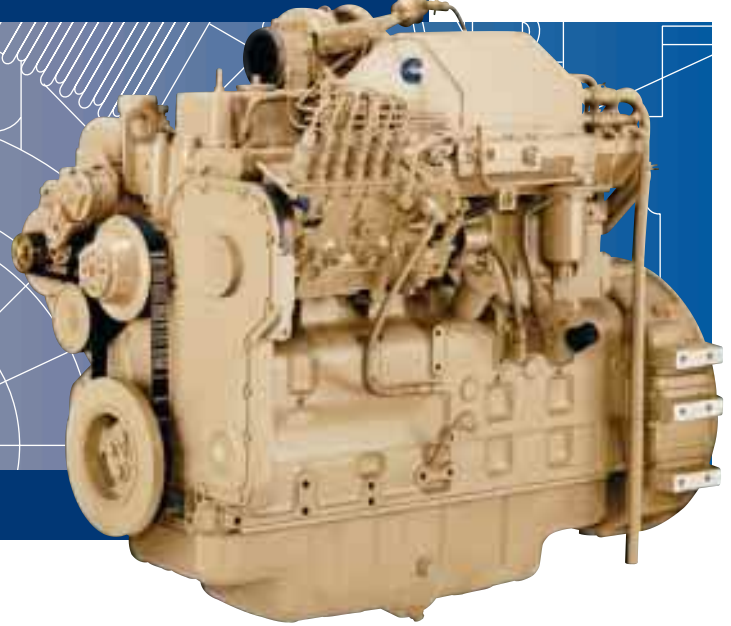
Standby		Prime		دیزل ژنراتور
KVA	KW	KVA	KW	
194	-	180	144	



6CTA8.3-G2

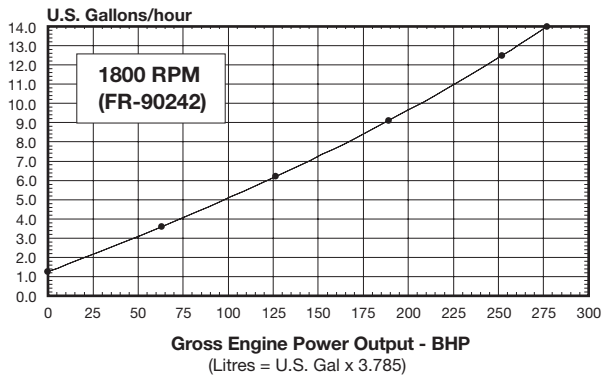
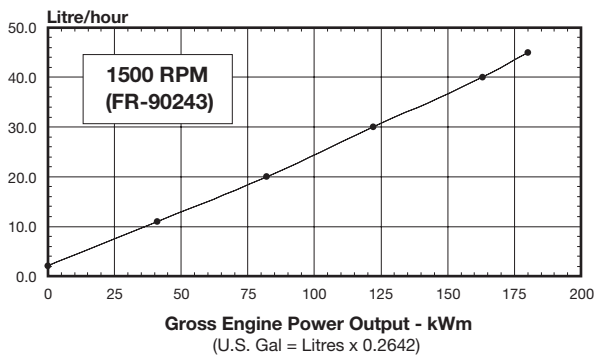


S P E C I F I C A T I O N S



6CTA8.3-G2 CPL: 2218 (Dry) Curve: FR-90243 @ 1500 RPM
FR-90242 @ 1800 RPM

Fuel Consumption



SPECIFICATIONS

4-Stroke Cycle, Turbocharged/Jacket Water Aftercooled, In-line, 6-Cylinder Diesel Engine

1500 RPM Engine Output

Standby Power Rating	180 kWm*	[241 BHP]
Prime Power Rating	163 kWm*	[219 BHP]
Continuous Power Rating	133 kWm*	[178 BHP]

1800 RPM Engine Output

Standby Power Rating	207 kWm*	[277 BHP]
Prime Power Rating	188 kWm*	[252 BHP]
Continuous Power Rating	159 kWm*	[213 BHP]

* Refers to gross power available from engine, not generator set.

General Engine Data:

Bore and Stroke	114x135 mm	[4.49x5.32 in.]
Displacement	8.3 L	[505 cu. in.]
Lube System Oil Capacity	23.8 L	[6.3 U.S. gal.]
Coolant Capacity	12.3 L	[3.25 U.S. gal.]
Net Dry Weight with Standard Accessories	702 kg	[1,545 lb.]

Approx. Overall Dimensions:

Width	710 mm	[27.96 in.]
Length	1182 mm	[46.54 in.]
Height	1137 mm	[44.78 in.]

PERFORMANCE:

Standard Conditions:

Data Shown Above Are Based On:

- Engine operating with fuel system, water pump, lubricating oil pump, air cleaner and exhaust silencer; not included are battery charging alternator, fan and optional driven components.
- Engine operating with diesel fuel corresponding to grade No. 2D per ASTM D975.
- ISO-3046, Part 1, Standard Reference Conditions of: 29.53 in. Hg. [100 kPa] barometric pressure (361 ft. [110 m] altitude), 77 °F [25 °C] air temperature and a relative humidity of 30%.

NOTES:

- Cummins Engine Company recommends that Cummins engines be operated at a minimum load of 30% of their respective Standby Power rating.

RATING GUIDELINES:

Based on ISO8528 and defined in Cummins Power Rating Application Guidelines. Ref: AEB 26.02.

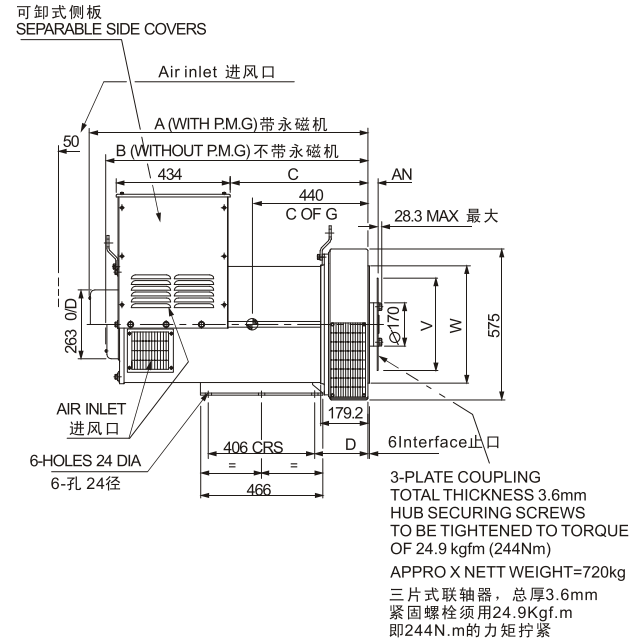
OPERATION at ELEVATED TEMPERATURE and ALTITUDE:

The engine may be operated at:

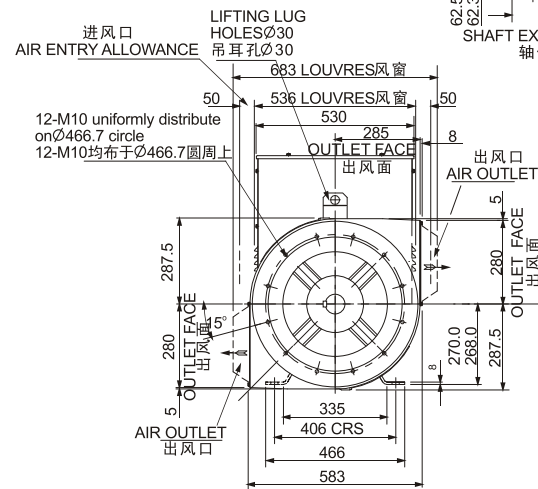
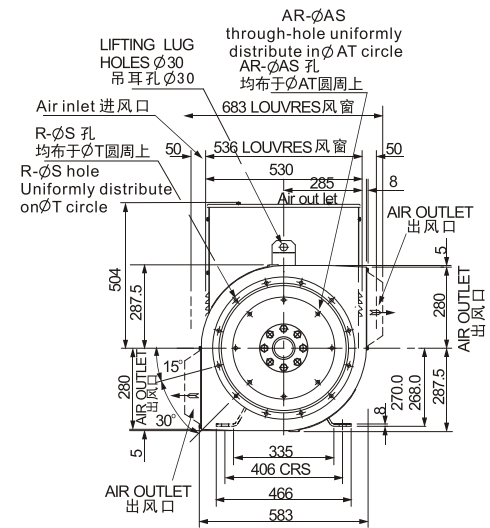
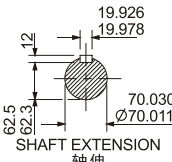
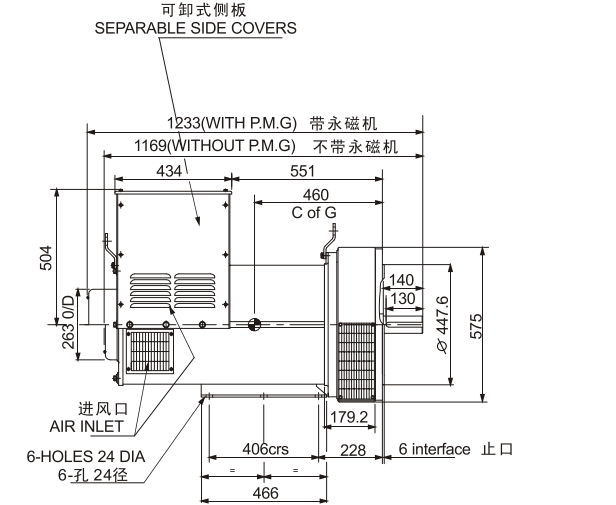
- 1800 RPM up to: 5000 ft. (1525 m) and 104 °F [40 °C] without power deration.
- 1500 RPM up to: 5000 ft. (1525 m) and 104 °F [40 °C] without power deration.

For sustained operation above these conditions derate by: 4% per 1,000 ft. [300 m] and 1% per 10 °F [2% per 11 °C].

单轴承 SINGLE BEARING



双轴承 DOUBLE BEARING



FLANGE 法兰式过渡接套 (mm)

S.A.E.NO.	A	B	C	D	R	S	T	W
1	1063	1000	525	202	12	12.7	530.2	511.1
2	1063	1000	525	202	12	11	466.7	447.6
3	1086.5	1023.5	548.5	225.5	12	11	428.6	409.5

DISC COUPLING 盘片式联轴器 (mm)

S.A.E.NO.	AN	AR	AS	AT	V
11.5	39.68	8	11	333.3	352.3
14	25.40	8	13.5	438.2	466.6

SAE NO SELECTOR CHOWT 驱动片和过渡法兰配套表

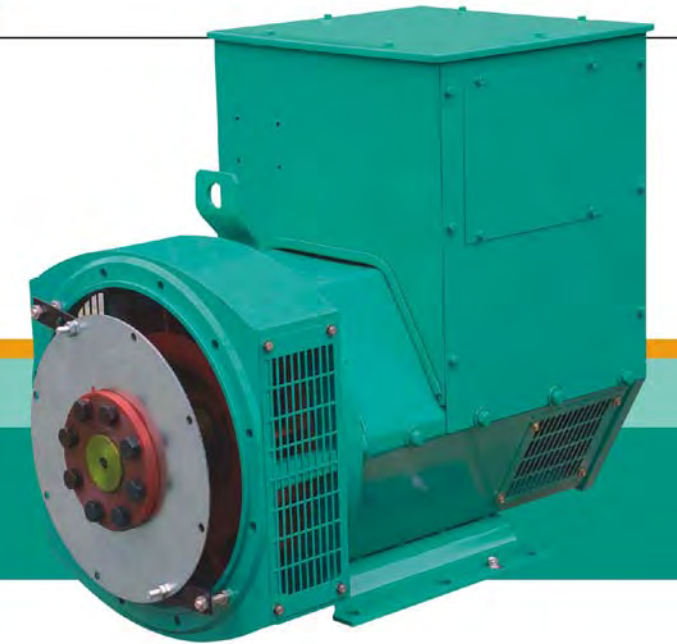
	SAE10	SAE11.5	SAE14
SAE 1		•	•
SAE 2		•	
SAE 3	•	•	

NEW ERA SLG

系列三相无刷同步发电机
SERIES THREE-PHASE BRUSHLESS
SYNCHRONOUS ALTERNATOR



SLG274 TECHNICAL DATA SHEET



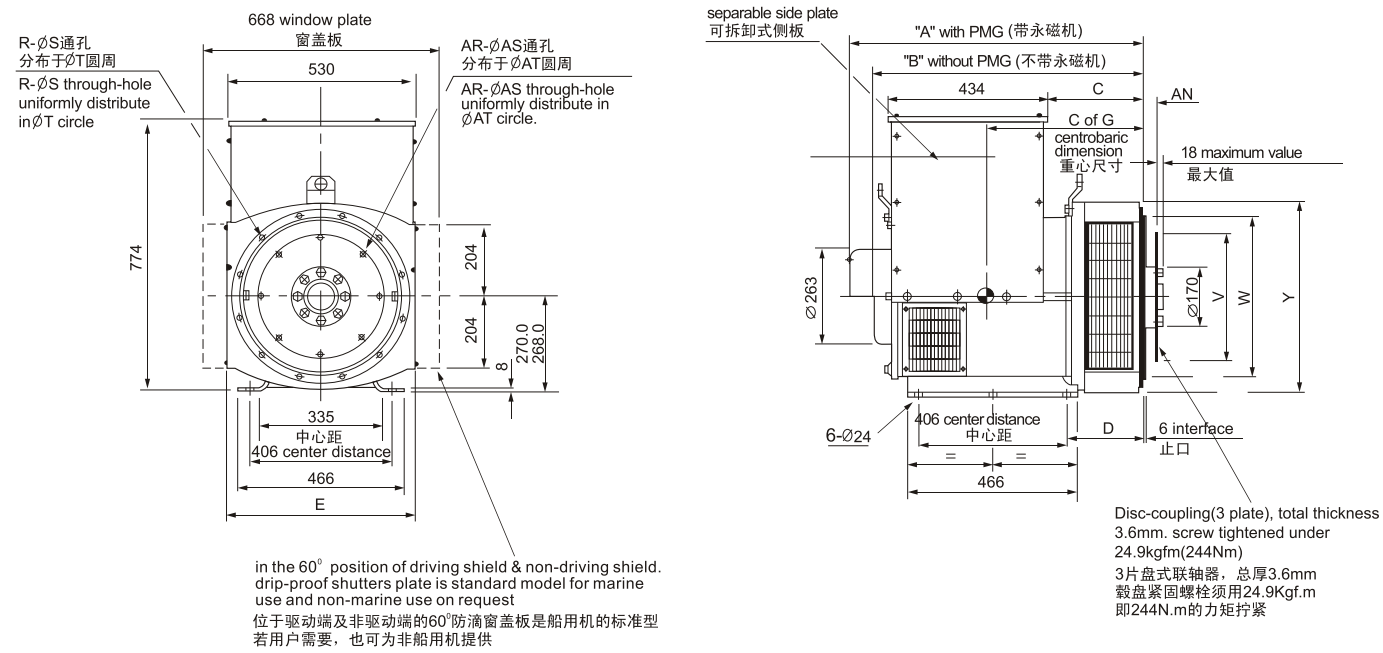
50Hz CLASS "H"

RATINGS	绕组形式 311 / 功率因数0.8 Winding 311 / 0.8 Power Factor													
	持续/125k/40°C Cont./125K/40°C				持续/125k/40°C Cont./125K/40°C				持续/125k/40°C Cont./125K/40°C					
定额/温升/环境温度 Duty / Temp Rise / Ambient T°	三相 3 PHASE								单相 1 PHASE					
相数 PHASE	三相 3 PHASE								单相 1 PHASE					
星形串联 SERIES STAR	380	400	415											
星形并联 PARALLEL STAR	190	200	208											
三角形串联 SERIES DELTA	220	230	240											
双三角形并联 DOUBLE DELTA								220	230	240				
	KVA	KW	KVA	KW	KVA	KW	KVA	KW	KVA	KW	KVA	KW	KVA	KW
SLG274C	100	80	100	80	100	80	60	48	60	48	60	48	60	48
SLG274D	114	91.2	120	96	114	91.2	68	54.4	68	54.4	68	54.4	68	54.4
SLG274E	140	112	140	112	140	112	85	68	85	68	85	68	85	68
SLG274F	160	128	160	128	160	128	96	76.8	96	76.8	96	76.8	96	76.8
SLG274G	180	144	180	144	180	144	108	86.4	108	86.4	108	86.4	108	86.4
SLG274H	200	160	200	160	200	160	120	96	120	96	120	96	120	96
SLG274J	230	184	230	184	230	184	138	110.4	138	110.4	138	110.4	138	110.4
SLG274K	250	200	250	200	250	200	150	120	150	120	150	120	150	120

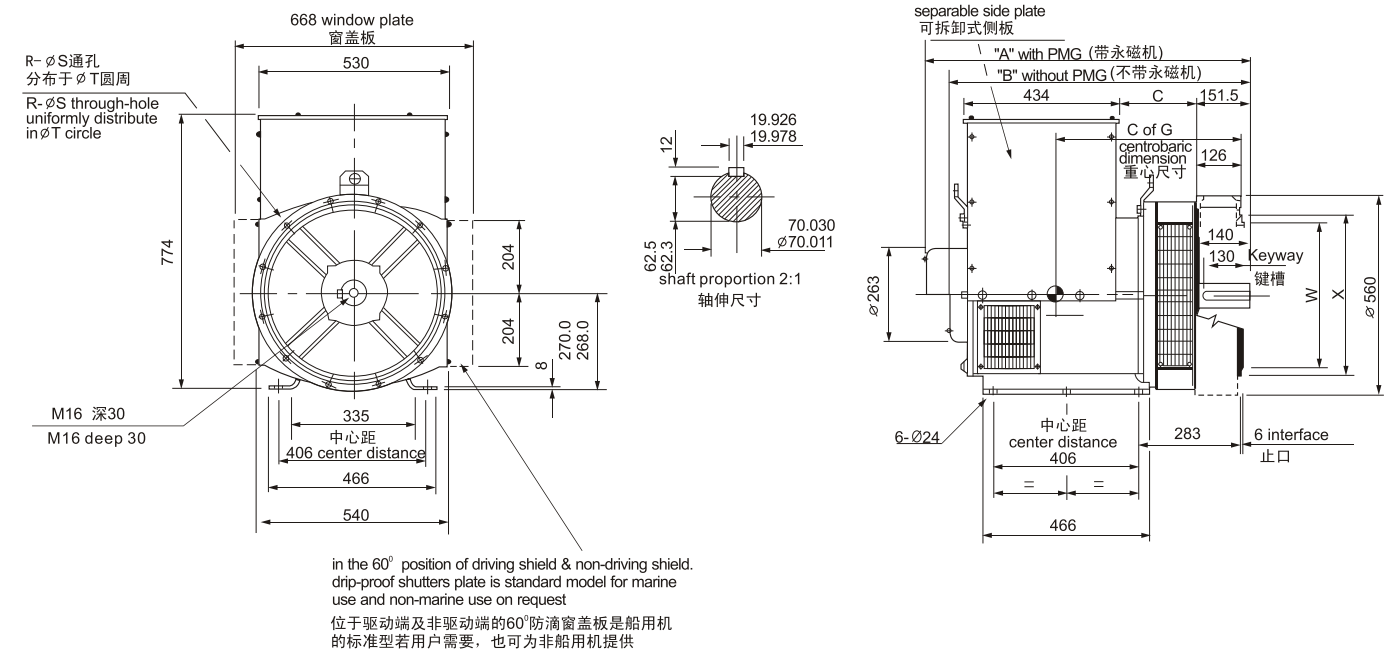
60Hz CLASS "H"

RATINGS	绕组形式 311 / 功率因数0.8 Winding 311 / 0.8 Power Factor													
	持续/125k/40°C Cont./125K/40°C				持续/125k/40°C Cont./125K/40°C				持续/125k/40°C Cont./125K/40°C					
定额/温升/环境温度 Duty / Temp Rise / Ambient T°	三相 3 PHASE								单相 1 PHASE					
相数 PHASE	三相 3 PHASE								单相 1 PHASE					
星形串联 SERIES STAR	416	440	460	480										
星形并联 PARALLEL STAR	208	220	230	240										
三角形串联 SERIES DELTA	240	254	266	277										
双三角形并联 DOUBLE DELTA								220	230	240				
	KVA	KW	KVA	KW	KVA	KW	KVA	KW	KVA	KW	KVA	KW	KVA	KW
SLG274C	112.5	90	117.5	94	117.5	94	125	100	61.3	49	64.4	51.5	67.5	54
SLG274D	131.3	105	137.5	110	137.5	110	146.3	117	72	57.6	75	60	78.8	63
SLG274E	160	128	167.5	134	167.5	134	178.8	143	84	67.2	90	72	96	76.8
SLG274F	181.3	145	190	152	190	152	206.3	165	97.5	78	103.1	82.5	108.8	87
SLG274G	205	164.5	218.5	174.8	218.5	174.8	231.4	185.1	110.5	88.4	115.7	92.6	123.4	98.7
SLG274H	237.5	190	245	196	245	196	255	204	127.5	102	135	108	142.5	114
SLG274J	296	215.2	281	224.8	294	215.2	300	240	150	120	157	125.6	161	128.8
SLG274K	291	232.8	299	239.2	235.2	250	312.5	250	155	124	166	132.8	175	140

SLG274C-H 单轴承外形图 Single bearing external dimension



SLG274C-H 双轴承外形图 Double bearing external dimension



DIMENSION 尺寸(mm)									
	型号 Model	A	B	C	E	C of G	N.W(kg)	G.W(kg)	LXWXH(mm)
SAE1	SLG274C	813.3	750.3	274.3	554	365	385	415	900X650X975
	SLG274D	813.3	750.3	274.3	554	375	405	435	900X650X975
	SLG274E	928.3	865.3	389.3	554	390	455	485	1020X650X975
	SLG274F	928.3	865.3	389.3	554	415	500	530	1020X650X975
	SLG274G	978.3	915.3	439.3	554	435	550	580	1080X650X975
	SLG274H	1018.3	955.3	479.3	554	455	600	630	1110X650X975
SAE2&3	SLG274C	799	736	260	544	398	385	415	900X650X975
	SLG274D	799	736	260	544	422	405	435	900X650X975
	SLG274E	914	851	375	544	489	455	485	1020X650X975
	SLG274F	914	851	375	544	527	500	530	1020X650X975
	SLG274G	964	904	425	544	579	550	580	1080X650X975
SLG274H	1004	941	465	544	625	600	630	1110X650X975	

FLANGE 法兰式过渡接套 (mm)							
S.A.E.NO.	D	R	S	T	W	X	Y
1	216.3	12	12.7	530.2	511.1	553	580
2	202	12	11	466.7	447.6	490	530
3	202	12	11	428.6	409.5	451	530

DISC COUPLING 盘片式联轴器 (mm)					
S.A.E.NO.	AN	AR	AS	AT	V
10	53.98	8	11	295.3	314.2
11.5	39.68	8	11	333.3	352.3
14	25.40	8	13.5	438.2	466.6

DIMENSION 尺寸(mm)				
型号 Model	A	B	C	C of G
SLG274C	905	842	215	420
SLG274D	905	842	215	430
SLG274E	1020	957	330	445
SLG274F	1020	957	330	475
SLG274G	1070	1007	380	490
SLG274H	1110	1047	420	510

FLANGE 法兰式过渡接套 (mm)					
S.A.E.NO.	R	S	T	W	X
1	12	12.7	530.2	511.1	553
2	12	11	466.7	447.6	495
3	12	11	428.6	409.5	451

TRANSPORTATION DATA 运输数据			
型号 Model	N.W(kg)	G.W(kg)	LXWXH(mm)
SLG274C	395	435	980X650X975
SLG274D	420	460	980X650X975
SLG274E	470	510	1080X650X975
SLG274F	510	550	1080X650X975
SLG274G	560	600	1110X650X975
SLG274H	610	650	1160X650X980

6CTA8.3-G2



S P E C I F I C A T I O N S

Design Features:

Aftercooler

Cooler, denser intake air from jacket water aftercooler increases combustion efficiency, reducing emissions and internal stresses.

Cylinder Head

One-piece crossflow cylinder head for maximum structural stiffness of block/head assembly. Low swirl intake passages optimize combustion for reduced emissions. Fitted with premium valves for enhanced durability. Contains replaceable valve guides and seats.

Cylinder Liners

Replaceable wet liners are plateau-honed and feature mid-stop clamping method, eliminating need for packing rings and crevice seals.

Filters

Fleetguard spin-on fuel filter, corrosion resistor, and combination full flow/bypass lube oil filter.

Fuel System

In-line type Bosch P-Series pump operates at high injection pressures for cleaner combustion and lower emissions. Injection pump lubricated by pressurized engine oil. Lift pump revised for higher flow rates to ensure cooling and longevity of injection pump.

Pistons

Dual Ni-Resist piston with three-ring design and full-floating piston pin minimizes oil consumption and improves durability through reduced wear.

Turbocharger

Holset HX40W delivers altitude compensation as well as lower smoke and noise levels; includes wastegate feature for instant transient response.

Emissions Certification:

EPA/CARB: Complies with Mobile Off-Highway standard per ISO 8178 D2 at 1800 RPM rating.

TALuft: Complies with 4 gram NOx standard at 1500 RPM Prime Power rating.

See Exhaust Emissions Data Sheets for further details.

Optional Equipment:

Please contact your local Cummins representative for additional information regarding engine options.

Cummins has always been a pioneer in product improvement. Thus, specifications may change without notice. Illustrations may include optional equipment.

Cummins Engine Company, Inc.
Box 3005
Columbus, IN 47202-3005
U.S.A.

